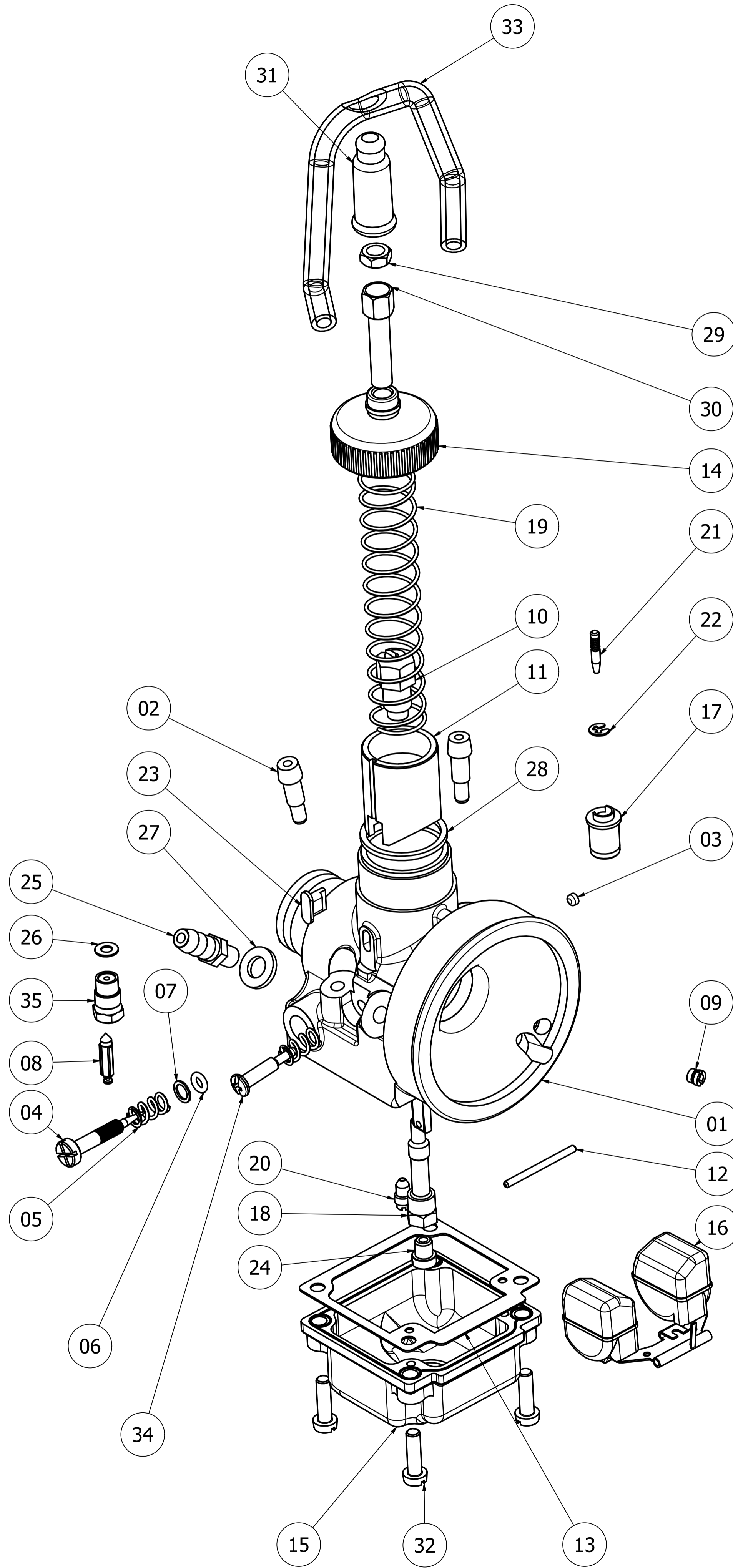


PARTS LIST			
ITEM	PART NUMBER	DESCRIPTION	QTY
01	219-D322	MACHINED BODY	1
02	68-407	STRAIGHT CONNECTOR	2
03	80-160	BRASS PLUG	2
04	43-A264	HIGH SPEED NEEDLE	1
05	24-B449	ADJUSTMENT SCREW SPRING	2
06	44-270	O'RING	1
07	78-A256	ADJUSTMENT SCREW WASHER	1
08	34-216	* INLET NEEDLE	1
09	49-B31	REMOTE FIXED JET VARIOUS	1
10	15-C159	THROTTLE CABLE ATTACHMENT	1
11	14-A139	THROTTLE SLIDE VARIOUS	1
12	32-508	FULCRUM PIN	1
13	16-B524	GASKET FLOAT BOWL	1
14	91-B433	SLIDE CAP	1
15	30-788	CLEAR PLASTIC FLOAT BOWL	1
16	30-789	FLOAT - 4 gr MINIMUM WEIGHT	1
17	47-A293	NOZZLE MAIN FUEL	1
18	47-A294	MAIN NOZZLE TUBE VARIOUS	1
19	24-C371	THROTTLE SLIDE SPRING	1
20	49-B170	IDLE JET VARIOUS	1
21	34-549	SLIDE NEEDLE VARIOUS	1
22	29-260	CIRCLIP SLIDE NEEDLE	1
23	18-A100	BARREL GUIDE	1
24	49-B185	MAIN JET VARIOUS	1
25	68-A537	M6x1, 3/16 BARB CONNECTOR, BRASS	1
26	16-B199	* COPPER GASKET, INLET SEAT	1
27	78-A377	WASHER COPPER	1
28	44-401	O-RING - SLIDE CAP	1
29	81-832	CABLE GUIDE NUT	1
30	15-C160	CABLE GUIDE -	1
31	102-251	SLEEVE CABLE GUIDE	1
32	15-C161	SCREW	4
33	813-38	OVERFLOW PIPE	1
34	15-C154	IDLE SPEED ADJ. SCREW	1
35	36-A27	* INLET SEAT	1



IDLE JETS:	MAIN JETS:	REMOTE FIX JETS:
54 > 49-B167	48 > 49-B180	56 > 49-B61
57 > 49-B168	51 > 49-B181	73 > 49-B50
60 > 49-B169	54 > 49-B182	
63 > 49-B170	57 > 49-B183	
66 > 49-B171	60 > 49-B184	
69 > 49-B173	63 > 49-B185	
	66 > 49-B186	
	69 > 49-B187	
	72 > 49-B188	

NEEDLE SECOND OPTION			
ITEM	QTY	PART NUMBER	DESCRIPTION
1	1	34-546	SLIDE NEEDLE

INLET SEAT & NEEDLE ASSEMBLY PACK [233-720P]			
ITEM	QTY	PART NUMBER	DESCRIPTION
1	1	16-B199	* COPPER GASKET, INLET SEAT
2	1	34-216	* INLET NEEDLE
3	1	36-A27	* INLET SEAT